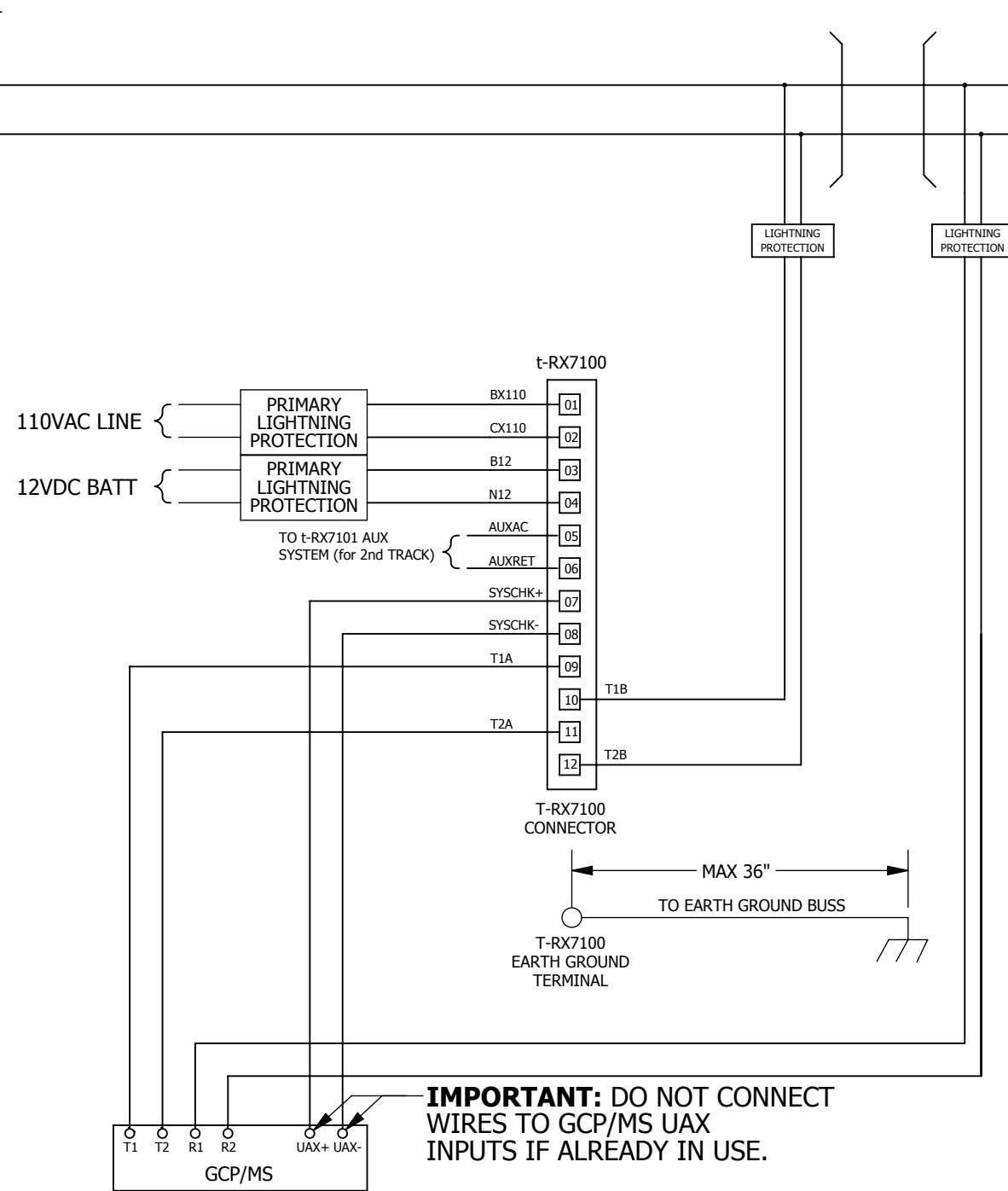


# T-RX7100 INSTALLATION WIRING DIAGRAM (using Safetran UAX)



NOTE: T-RX7100 EARTH GROUND TERMINAL MUST BE CONNECTED TO CASE OR BUNGALOW EARTH GROUND FOR LIGHTNING PROTECTION TO BE EFFECTIVE. WARRANTY VOID IF NOT CONNECTED AND LIGHTNING DAMAGE OCCURS.

## CUSTOMER REFERENCE DRAWING

PART NO:		CONFIGURATION:	
PROJECT NAME:			
UNLESS OTHERWISE SPECIFIED:		DATE	
DIMENSIONS ARE IN INCHES		<b>Genesis Technologies, Inc.</b> <small>www.genesisusa.com</small>	
TOLERANCES:			
FRACTIONAL $\pm 1/32"$			
ANGULAR: MACH $\pm 1^\circ$			
BEND $\pm 1^\circ$			
TWO PLACE DECIMAL $\pm 0.015"$		<b>T-RX7100 INSTALLATION WIRING DIAGRAM</b>	
THREE PLACE DECIMAL $\pm 0.0075$			
INTERPRET GEOMETRIC TOLERANCING PER:		Q.A.	
MATERIAL		COMMENTS:	
FINISH			
Material <not specified>		SIZE <b>B</b> DWG. NO. <b>08033PUB905</b> REV <b>-</b>	
DO NOT SCALE DRAWING		SCALE: 1:1 WEIGHT: 0.00 SHEET 1 OF 1	