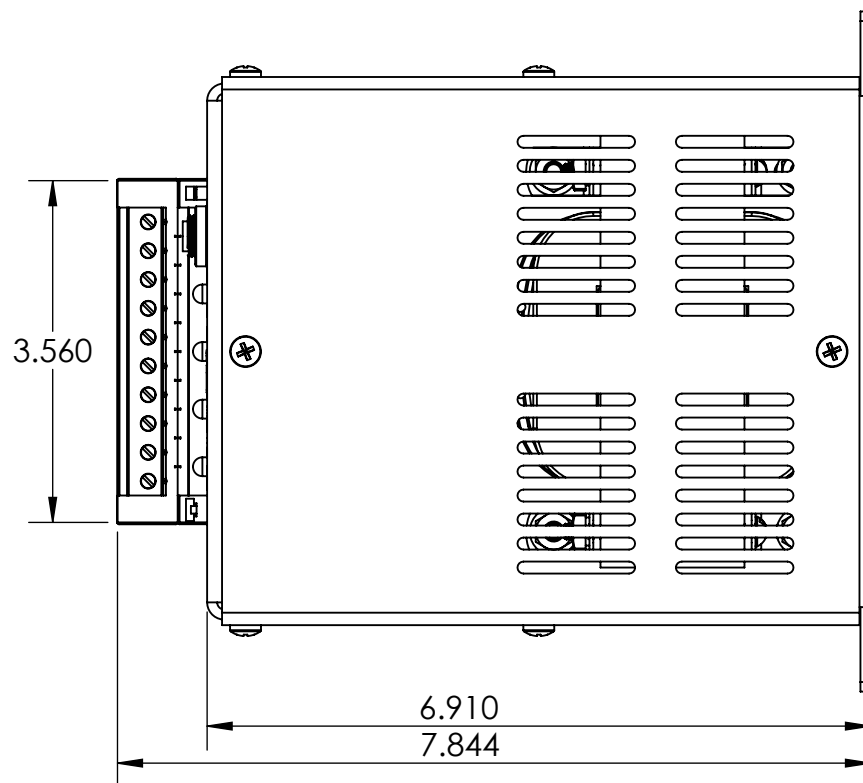
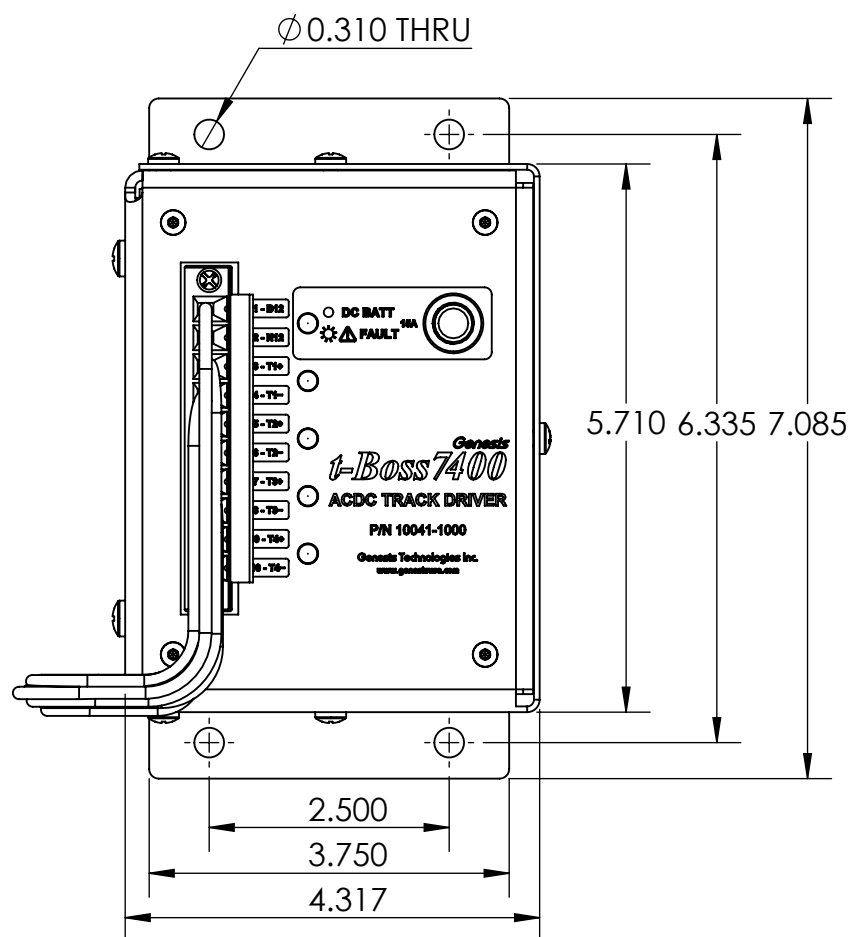




CONNECTOR WIRING PINOUTS		
PIN	NAME	FUNCTION
01	B12	12 VDC BATTERY POSITIVE
02	N12	12 VDC BATTERY NEGATIVE
03	T1+	TRACK OUTPUT 1 POSITIVE
04	T1-	TRACK OUTPUT 1 NEGATIVE
05	T2+	TRACK OUTPUT 2 POSITIVE
06	T2-	TRACK OUTPUT 2 NEGATIVE
07	T3+	TRACK OUTPUT 3 POSITIVE
08	T3-	TRACK OUTPUT 3 NEGATIVE
09	T4+	TRACK OUTPUT 4 POSITIVE
10	T4-	TRACK OUTPUT 4 NEGATIVE

MISCELLANEOUS DATA	
CONNECTOR WIRE SIZE RANGE	AWG #10 - AWG #24
CONNECTOR SCREW TIGHTENING TORQUE MIN	4.4 IN LBS (.5 Nm)
CONNECTOR SCREW TIGHTENING TORQUE MAX	5.3 IN LBS (.6 Nm)
WEIGHT	15.5 LBS (7.03 kg)
MOUNTING SCREW SIZE	1/4"
RECOMMENDED CLEARANCE (FROM FRONT PANEL FACE) FOR CONNECTOR WIRE EXIT	3" MINIMUM



CUSTOMER REFERENCE DRAWING  
P/N 10041-1000

UNLESS OTHERWISE SPECIFIED:		NAME	DATE	Genesis Technologies, Inc. www.genesisusa.com
DIMENSIONS ARE IN INCHES TOLERANCES: FRACTIONAL ± 1/32" ANGULAR: MACH ± 1° BEND ± 1° TWO PLACE DECIMAL ± 0.015" THREE PLACE DECIMAL ± 0.0075		DRAWN		
INTERPRET GEOMETRIC TOLERANCING PER:		CHECKED		SIZE DWG. NO. REV <b>B</b> 10041REF900 <b>B</b>
MATERIAL		ENG APPR.		
FINISH		MFG APPR.		
DO NOT SCALE DRAWING		Q.A.		
		COMMENTS:		

**PROPRIETARY AND CONFIDENTIAL**  
THE INFORMATION CONTAINED IN THIS DRAWING IS THE SOLE PROPERTY OF GENESIS TECHNOLOGIES INC. ANY REPRODUCTION IN PART OR AS A WHOLE WITHOUT THE WRITTEN PERMISSION OF GENESIS TECHNOLOGIES INC. IS PROHIBITED.