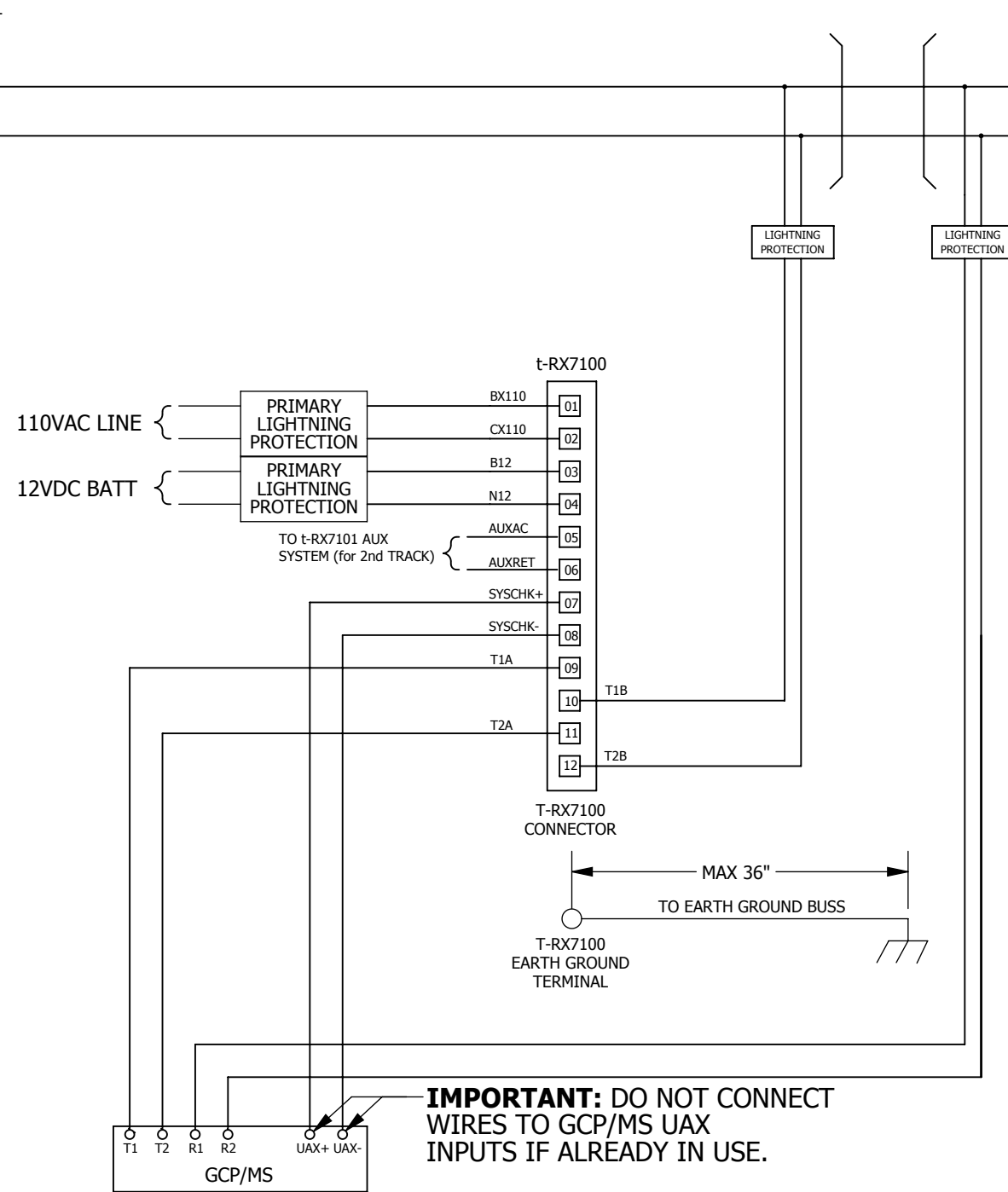


# T-RX7100 INSTALLATION WIRING DIAGRAM (using Safetran UAX)



**NOTE: T-RX7100 EARTH GROUND TERMINAL MUST BE CONNECTED TO CASE OR BUNGALOW EARTH GROUND FOR LIGHTNING PROTECTION TO BE EFFECTIVE. WARRANTY VOID IF NOT CONNECTED AND LIGHTNING DAMAGE OCCURS.**

## CUSTOMER REFERENCE DRAWING

PART NO:		CONFIGURATION:	
PROJECT NAME:			
UNLESS OTHERWISE SPECIFIED:		DATE	
DIMENSIONS ARE IN INCHES		<b>Genesis Technologies, Inc.</b> <small>www.genesisusa.com</small>	
TOLERANCES:			
FRACTIONAL ± 1/32"			
ANGULAR: MACH ± 1°			
BEND ± 1°			
TWO PLACE DECIMAL ± 0.015"		MFG APPR.	
THREE PLACE DECIMAL ± 0.0075		Q.A.	
INTERPRET GEOMETRIC TOLERANCING PER:		COMMENTS:	
MATERIAL		SIZE <b>B</b>   DWG. NO. <b>08033PUB905</b>   REV <b>-</b>	
FINISH <b>Material &lt;not specified&gt;</b>			
DO NOT SCALE DRAWING		SCALE: 1:1	WEIGHT: 0.00
		SHEET 1 OF 1	